

TWO LEVER SIDE MOUNT CONTROLS

Suitable for all outboard engines.

FEATURES

- Made of nylon fiberglass with anodized aluminum levers
- Left or right side mount installation
- For use with Ultraflex engine control cables:
 - C14 with **K23** - 32773 D connection kit
 - C4 with **K24** - 32774 E connection Kit
 - C2, C7, C8, and CZero with **K25** - 32775 F connection kit
 - C5 without connection kit

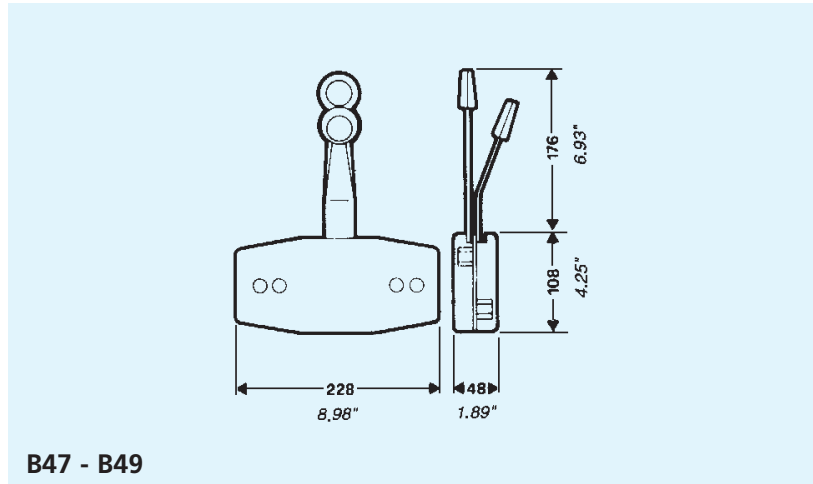
MODELS

- B47** - 32770 A - Light grey finish
B49 - 33283 S - Black finish



B47

B49

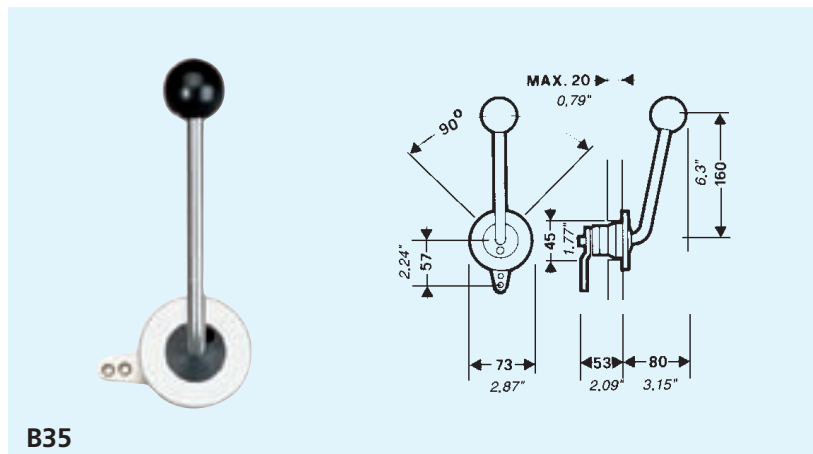


B47 - B49

B35 CONTROL BOX

FEATURES

- Lever and flange all stainless steel.
 - Flush side mount installation.
 - Particularily suitable for throttle control and hydraulic shift operation.
 - Provided with adjustable brake tension release and detents.
 - For use with Ultraflex C2, C7, C8 and CZero engine control cables
- B35** - 32386 A



B35

